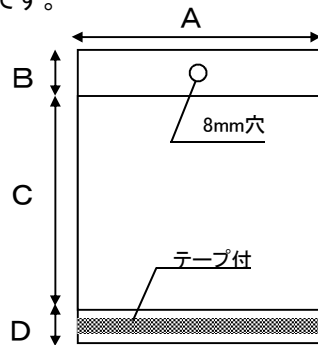


サイドシール規格袋 Pシリーズ

※ヘッダー(合成紙:白)、テープ付、8ミリ穴

品番	サイズ	材質	入数	単価
P 3030160	30 × (30 + 160) + 30	OPP#30	1,000 枚	
P 3030250	30 × (30 + 250) + 30	OPP#30	1,000 枚	
P 3035270	35 × (30 + 270) + 30	OPP#30	1,000 枚	
P 3040080	40 × (30 + 80) + 30	OPP#30	1,000 枚	
P 3040160	40 × (30 + 160) + 30	OPP#30	1,000 枚	
P 3045230	45 × (30 + 230) + 30	OPP#30	1,000 枚	
P 3045280	45 × (30 + 280) + 30	OPP#30	1,000 枚	
P 3050080	50 × (30 + 80) + 30	OPP#30	1,000 枚	
P 3050110	50 × (30 + 110) + 30	OPP#30	1,000 枚	
P 3060095	60 × (30 + 95) + 30	OPP#30	1,000 枚	
P 3060220	60 × (30 + 220) + 30	OPP#30	1,000 枚	
P 3070100	70 × (30 + 100) + 30	OPP#30	1,000 枚	
P 3070270	70 × (30 + 270) + 30	OPP#30	1,000 枚	
P 3075100	75 × (30 + 100) + 30	OPP#30	1,000 枚	
P 3080130	80 × (30 + 130) + 30	OPP#30	1,000 枚	
P 3085135	85 × (30 + 135) + 30	OPP#30	1,000 枚	
P 3090150	90 × (30 + 150) + 30	OPP#30	1,000 枚	
P 3100155	100 × (30 + 155) + 30	OPP#30	1,000 枚	
P 3100210	100 × (30 + 210) + 30	OPP#30	1,000 枚	
P 3110180	110 × (30 + 180) + 30	OPP#30	1,000 枚	
P 3110220	110 × (30 + 220) + 30	OPP#30	1,000 枚	
P 3120185	120 × (30 + 185) + 30	OPP#30	1,000 枚	
P 3120230	120 × (30 + 230) + 30	OPP#30	1,000 枚	
P 3130250	130 × (30 + 250) + 30	OPP#30	1,000 枚	
P 3130280	130 × (30 + 280) + 30	OPP#30	1,000 枚	
P 3140215	140 × (30 + 215) + 30	OPP#30	1,000 枚	
P 3150250	150 × (30 + 250) + 30	OPP#30	1,000 枚	
P 3160250	160 × (30 + 250) + 30	OPP#30	1,000 枚	
P 3160300	160 × (30 + 300) + 30	OPP#30	1,000 枚	
P 3170260	170 × (30 + 260) + 30	OPP#30	1,000 枚	
P 3180260	180 × (30 + 260) + 40	OPP#30	1,000 枚	
P 3190280	190 × (30 + 280) + 40	OPP#30	1,000 枚	
P 3200300	200 × (30 + 300) + 40	OPP#30	1,000 枚	
P 3225310	225 × (30 + 310) + 40	OPP#30	1,000 枚	
P 3270380	270 × (30 + 380) + 40	OPP#30	1,000 枚	

●パールヘッダータイプです。



$$A \times (B + C) + D$$

袋巾 ヘッダー部 袋内寸 折返し部